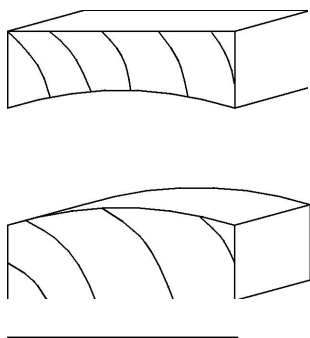
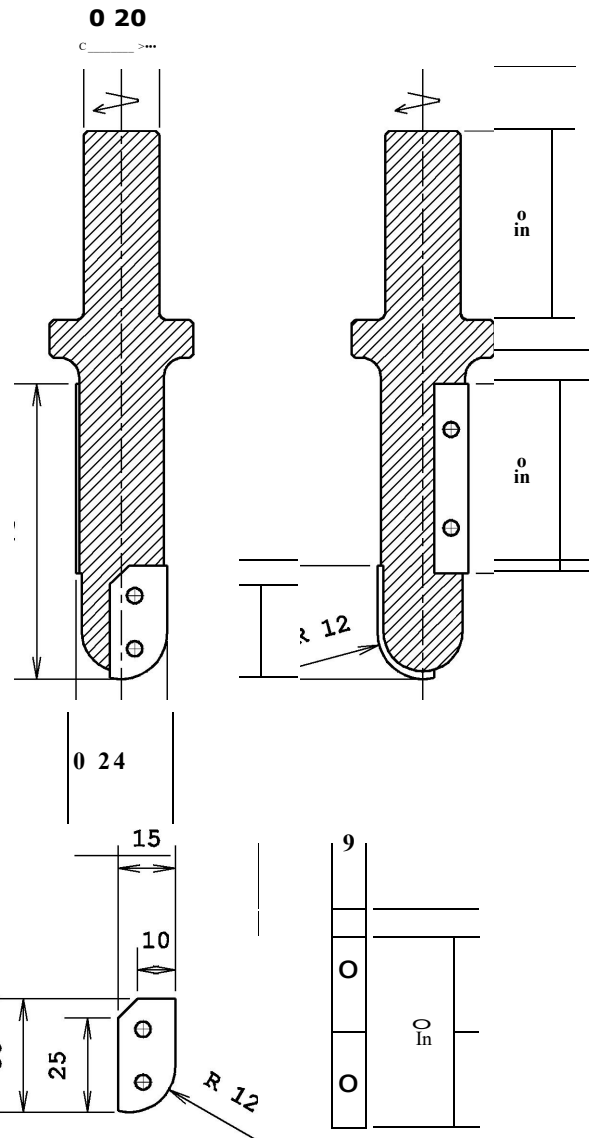


CUTTER HEAD FOR MODELS AND MOLDS

FST

Built with replaceable carbide knives

for the construction of models and molds of various shapes and sizes of pantographs and CNC machining centers.



D.	d.	h.	Z	Max Turns	Code
24	20	75	1+1	18.000	FST